



OPTIKA Mérnökiroda Kft.  
OPTICS Engineering Ltd.

# ADATLAP/ DATASHEET

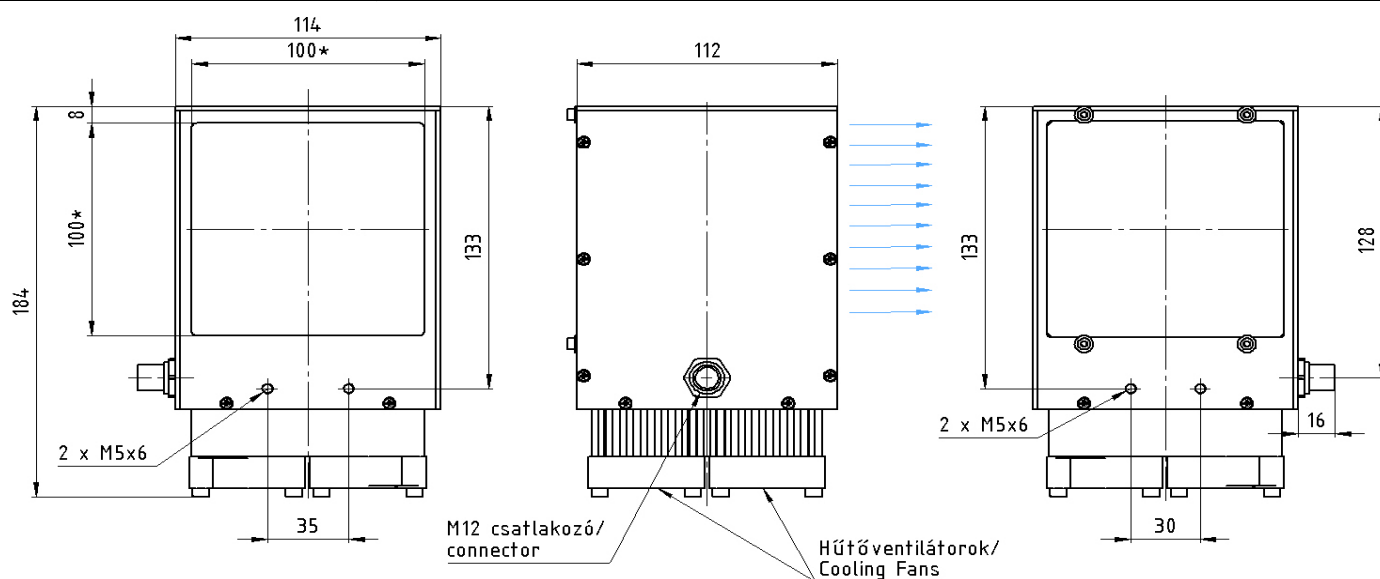
"Optikai megoldások az ipar és a műszaki élet számára" "Optical solutions for the industry and science"

1121 - Budapest  
Konkoly- Thege Miklós u. 29-33.  
Tel.: +36 (1) 392-2278  
Fax: +36 (1) 392-2555  
E-mail: [info@omi-optika.hu](mailto:info@omi-optika.hu)  
HUNGARY



## JELLEMZŐK/SPECIFICATIONS

| <b>Megnevezés/<br/>Designation:</b>                     | Axiális LED fluoreszcens megvilágító védőüveggel/<br>LED Coaxial fluorescent light with protecting glass  |  |     |                     |     |      |               |   |               |   |      |                  |   |                      |    |      |                |   |               |   |      |              |   |            |   |     |             |   |                |   |            |             |    |                            |    |                                |
|---|---|--|-----|---------------------|-----|------|---------------|---|---------------|---|------|------------------|---|----------------------|----|------|----------------|---|---------------|---|------|--------------|---|------------|---|-----|-------------|---|----------------|---|------------|-------------|----|----------------------------|----|--------------------------------|
| <b>Típuszám/<br/>Product number:</b>                    | 3-330-600   |  |     |                     |     |      |               |   |               |   |      |                  |   |                      |    |      |                |   |               |   |      |              |   |            |   |     |             |   |                |   |            |             |    |                            |    |                                |
| <b>Bemenet/Input:</b>                                   | 4 x 1200 mA áramgenerátoros/constant current - LED (192 W)<br>1 x 24V DC - FAN (4.8 W)  |  |     |                     |     |      |               |   |               |   |      |                  |   |                      |    |      |                |   |               |   |      |              |   |            |   |     |             |   |                |   |            |             |    |                            |    |                                |
| <b>Kimenet/Output:</b>                                  | 420 nm, LED   |  |     |                     |     |      |               |   |               |   |      |                  |   |                      |    |      |                |   |               |   |      |              |   |            |   |     |             |   |                |   |            |             |    |                            |    |                                |
| <b>Világítási paraméterek/<br/>Lighting parameters:</b> | Szabad átmérő/Free aperture: 100 x 100 mm<br>Munkatávolság/Working distance (WD): 0 - 100 mm<br>Megvilágított terület (FOV)/<br>Illuminated area (FOV): >100 x 100 mm<br>Védőüveg (475 LP szűrő)/Protecting<br>glass (475nm LP Emission filter): kamera felőli oldalon/on camera side<br>Beépített szűrők/built-in filters: Aluláteresztő (LED) + dikroikus nyalábosztó/<br>Shortpass (LED) Excitation filter + dichroic<br>beam splitter |  |     |                     |     |      |               |   |               |   |      |                  |   |                      |    |      |                |   |               |   |      |              |   |            |   |     |             |   |                |   |            |             |    |                            |    |                                |
| <b>Elektronika/<br/>Electronics:</b>                    | 12 pólusú M12 ipari csatlakozó, apa/<br>12 pole M12 industrial connector, male  | <table border="1"><thead><tr><th>I/O</th><th>Színkód/Colour code</th><th>Pin</th></tr></thead><tbody><tr><td rowspan="2">LED1</td><td>+ barna/brown</td><td>1</td></tr><tr><td>- szürke/grey</td><td>8</td></tr><tr><td rowspan="2">LED2</td><td>+ rózsaszín/pink</td><td>5</td></tr><tr><td>- piros-kék/red-blue</td><td>12</td></tr><tr><td rowspan="2">LED3</td><td>+ sárga/yellow</td><td>6</td></tr><tr><td>- fehér/white</td><td>3</td></tr><tr><td rowspan="2">LED4</td><td>+ zöld/green</td><td>4</td></tr><tr><td>- kék/blue</td><td>2</td></tr><tr><td rowspan="2">FAN</td><td>+ piros/red</td><td>9</td></tr><tr><td>- fekete/black</td><td>7</td></tr><tr><td rowspan="2">Thermistor</td><td>lila/violet</td><td>10</td></tr><tr><td>szürke-rózsaszín/gray-pink</td><td>11</td></tr></tbody></table> | I/O | Színkód/Colour code | Pin | LED1 | + barna/brown | 1 | - szürke/grey | 8 | LED2 | + rózsaszín/pink | 5 | - piros-kék/red-blue | 12 | LED3 | + sárga/yellow | 6 | - fehér/white | 3 | LED4 | + zöld/green | 4 | - kék/blue | 2 | FAN | + piros/red | 9 | - fekete/black | 7 | Thermistor | lila/violet | 10 | szürke-rózsaszín/gray-pink | 11 | Meghajtó/Driver: OMI 7-236-650 |
| I/O   | Színkód/Colour code   | Pin  |     |                     |     |      |               |   |               |   |      |                  |   |                      |    |      |                |   |               |   |      |              |   |            |   |     |             |   |                |   |            |             |    |                            |    |                                |
| LED1  | + barna/brown   | 1  |     |                     |     |      |               |   |               |   |      |                  |   |                      |    |      |                |   |               |   |      |              |   |            |   |     |             |   |                |   |            |             |    |                            |    |                                |
|   | - szürke/grey   | 8  |     |                     |     |      |               |   |               |   |      |                  |   |                      |    |      |                |   |               |   |      |              |   |            |   |     |             |   |                |   |            |             |    |                            |    |                                |
| LED2  | + rózsaszín/pink  | 5  |     |                     |     |      |               |   |               |   |      |                  |   |                      |    |      |                |   |               |   |      |              |   |            |   |     |             |   |                |   |            |             |    |                            |    |                                |
|   | - piros-kék/red-blue  | 12   |     |                     |     |      |               |   |               |   |      |                  |   |                      |    |      |                |   |               |   |      |              |   |            |   |     |             |   |                |   |            |             |    |                            |    |                                |
| LED3  | + sárga/yellow  | 6  |     |                     |     |      |               |   |               |   |      |                  |   |                      |    |      |                |   |               |   |      |              |   |            |   |     |             |   |                |   |            |             |    |                            |    |                                |
|   | - fehér/white   | 3  |     |                     |     |      |               |   |               |   |      |                  |   |                      |    |      |                |   |               |   |      |              |   |            |   |     |             |   |                |   |            |             |    |                            |    |                                |
| LED4  | + zöld/green  | 4  |     |                     |     |      |               |   |               |   |      |                  |   |                      |    |      |                |   |               |   |      |              |   |            |   |     |             |   |                |   |            |             |    |                            |    |                                |
|   | - kék/blue  | 2  |     |                     |     |      |               |   |               |   |      |                  |   |                      |    |      |                |   |               |   |      |              |   |            |   |     |             |   |                |   |            |             |    |                            |    |                                |
| FAN   | + piros/red   | 9  |     |                     |     |      |               |   |               |   |      |                  |   |                      |    |      |                |   |               |   |      |              |   |            |   |     |             |   |                |   |            |             |    |                            |    |                                |
|   | - fekete/black  | 7  |     |                     |     |      |               |   |               |   |      |                  |   |                      |    |      |                |   |               |   |      |              |   |            |   |     |             |   |                |   |            |             |    |                            |    |                                |
| Thermistor  | lila/violet   | 10   |     |                     |     |      |               |   |               |   |      |                  |   |                      |    |      |                |   |               |   |      |              |   |            |   |     |             |   |                |   |            |             |    |                            |    |                                |
|   | szürke-rózsaszín/gray-pink  | 11   |     |                     |     |      |               |   |               |   |      |                  |   |                      |    |      |                |   |               |   |      |              |   |            |   |     |             |   |                |   |            |             |    |                            |    |                                |
| <b>Anyag/Material:</b>                                  | Fekete eloxált alumínium ház/Anodized black aluminium housing   |  |     |                     |     |      |               |   |               |   |      |                  |   |                      |    |      |                |   |               |   |      |              |   |            |   |     |             |   |                |   |            |             |    |                            |    |                                |
| <b>Méreték/Dimensions:</b>                              | 112 x 114 x 184 mm  | Felfogatás/Fixing: 4 x M5  |     |                     |     |      |               |   |               |   |      |                  |   |                      |    |      |                |   |               |   |      |              |   |            |   |     |             |   |                |   |            |             |    |                            |    |                                |



\*Free aperture

Módosítva / Updated: 2020.02.17.